

USB TO RS 232 CONVERTER

USB 232 M



- **USB 232 M** is a product which connects to a PC's **USB** port providing a high-speed **Asynchronous RS 232** serial port for communication with **RS 232** devices.
- The **USB 232 M** is provided with **TxD/RxD LEDs** for indicating communication status and supports a maximum speed up to **500Kbps**. **RS 232** serial port is furnished with a **9 pin D-type male connector** similar to one found on the back of a **PC**. When the device is connected to **PC's USB** port, the **USB 232 M** is automatically detected and is installed as a native **COM** port, compatible with existing serial communication applications. Users can add/remove this device once plugged into the **USB** port of the **PC** since this appears as a **COM** port.
- The Serial interface consists of two data signals - **TxD (Transmit)** and **RxD (Receive)** as well as six control signals - **RTS, CTS, DSR, DTR, DCD** and **RI**. The serial interface supports **RTS/CTS, DSR/DTR** and **X-on/X-off** handshaking.
- The product is programmable to support a variety of data formats and baud rates.

Features & Specifications

Interface	
Serial	RS 232 C
USB	USB V 1.1 & 2.0 Compatible
Connectors	
Serial	DB 9 pin Male as DTE
USB	Type A 4 pin Plug
Serial	
Baud Rate	Upto 500 Kbps
Data Bits	7 or 8
Parity	None, Even, Odd, Mark, Space
Stop Bits	1 or 2
Flow Controls	Hardware (RTS/CTS) / Software (X-on / X-off) Handshaking supported
Supported OS	Windows XP, XP - 64 bit, XP - Embedded, Vista, Visa - 64 bit, CE 4.2 / 5.0 / 6.0, Windows 7, Windows 2000, Server 2003, Server 2008, MAC OS 8 / 9, OS - X, Linux 2.4 and greater.
Software Driver	Plug and Play for most operating systems
Support	Full Standard RS 232 serial interface signals
Indicators (LED)	
Transmit Data (TxD)	Red
Receive Data (RxD)	Green
Power	
Input	USB port powered
Packaging	
Dimensions (LxWxH)	72mm(L) x 43mm(W) x 21mm(H)
Weight	70g
Warranty	12 Months

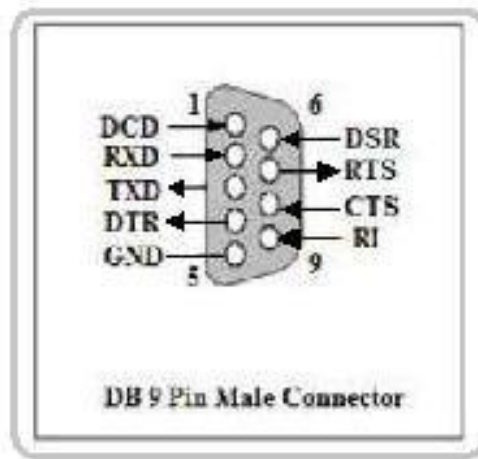
Applications

- Provides RS 232 Serial Interface to any PC having only USB port.

USB to RS 232 Converter



Serial RS 232 Pin-outs



Part Number	Description
2750000247	USB TO RS485 CONVERTER-M

Sparr Electronics Limited

No.414A, 7th Main Road, 1st Block, HRBR Layout, Banaswadi , Bangalore - 560 043, INDIA.

Bangalore: +91-80-41278033

Mumbai: +91-22-26655375

For more details visit:

<http://www.sparrl.com> E-mail: info@sparrl.com

SPARR
ELECTRONICS
LIMITED