

USB TO RS 232 CONVERTER ANDROID

USB 232 A



- **USB 2.0 Full speed Compatible.**
- **Suitable for use on any Android platform supporting Android Open Accessory Mode (Typically 3.1 onwards, however some platforms may port Open Accessory Mode to version 2.3.4)**
- **USB plug and play.**
- **Basic UART interface with TxD, RxD, RTS and CTS.**
- **USB error indicator.**
- **+5V Single supply Operated.**

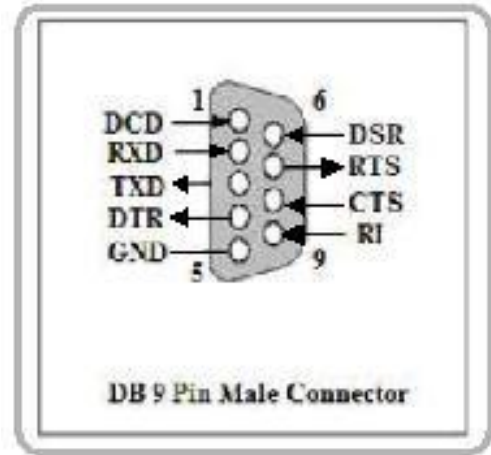
Features & Specifications

Android Version	3.1 Onwards
USB Version	2.0 Full Speed Compatible
Interface	
Android Device	USB Micro B type plug
RS 232	DB 9 pin Male
Baud Rate	300 to 115200 bps
Data Bits	7 or 8
Stop Bits	1 or 2
Parity	None, Even, Odd, Mark, Space
Flow Control	None, RTS / CTS
Power Supply	5V DC with External Adaptor
Indicators (LED)	
Power	Red
Status	Yellow
Transmit Data (TxD)	Red
Receive Data (RxD)	Green
Environmental	
Operating	-40 °C to 85 °C
Storage	-65 °C to 85 °C
Packaging	
Dimensions (LxWxH)	72mm(L) x 43mm(W) x 21mm(H) for board
Weight	70g
Warranty	12 Months

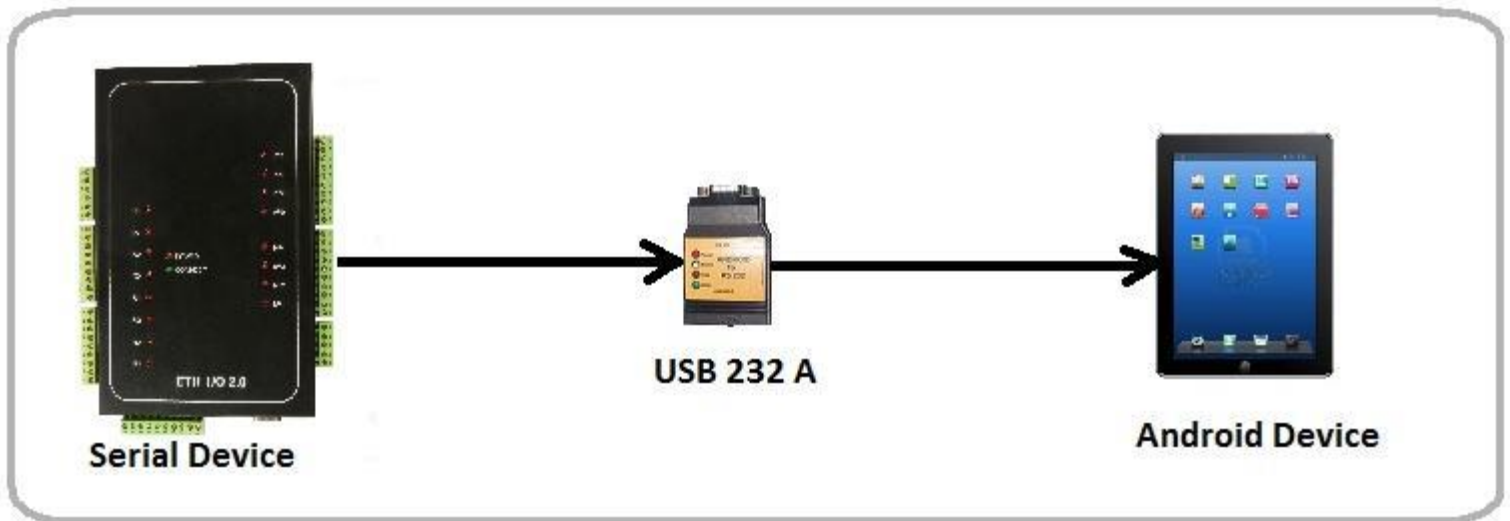
Applications

- Connecting any RS 232 devices to Android phones, tablets etc.
- Controlling Instrumentation from Android device.
- Home Automation via Android devices.
- Data logging from USB accessories.
- Connecting serial printers to Android devices.

Serial RS 232 Pin-outs



USB to RS 232 Converter Android



Model Number	Description
USB 232 - A	USB to RS 232 Converter Android

Sparr Electronics Limited

No.414A, 7th Main Road, 1st Block, HRBR Layout, Banaswadi , Bangalore - 560 043, INDIA

Bangalore: +91-80-41278033

Mumbai: +91-22-26655375

For more details visit:

<http://www.sparrl.com> E-mail: info@sparrl.com

*Specifications subject to change without prior notice .All rights reserved. SEL/MKTG/USB232A/01/14

SPARR
ELECTRONICS
LIMITED