

Addressable Converter 485 to 232

- Addressable RS 485 to RS 232 Converter.
- Users can easily add/remove a Serial Port in their RS485 network to talk to RS232 based Serial Devices with the added feature of addressability.
- Power and Data Isolated RS485 port gives protection to the unit and also the connected RS232 device from the RS485 network.
- Unit address can be set by 8 way DIP switch allowing 255 addresses.
- Baud Rate and other RS232/RS485 port parameters are set by writing in to Modbus Registers.
- Address 0 of the DIP switch loads known defaults to the RS232/RS485 ports ensure configurability at all times.

Addressable Converter



Features & Specifications

Interface	
Serial	RS 232, RS 485 / RS 422
RS 485	
Maximum number of drivers	256
Maximum number of	256
Maximum cable	1220 m
Signal Isolation	Provides Optical Isolation Signals
Power Isolation	>3000 Isolation between RS 485 and RS 232
ESD Protection	+ / - 15KV
Connectors	
RS 232, Digital, Analog	DB 9 pin male as DTE
Serial RS 485	RS 485 3-pin, RS 422 5 Pin Screw type Connector
Serial	
Baud Rate	600 to 115200 bps
Data Bits	8
Stop Bits	1 or 2
Parity	None, Even, Odd
Flow Control	None, Xon / Xoff, H/W
ID Setting	8 way DIP switch from 01 to 255. 0 is for default loading
Supported Protocol	MODBUS
Power	
Voltage	5 to 24 V DC
Current	100 mA
Indicators (LED)	
Power	Red
TxD	Red
RxD	Green
Environmental	
Operating	0 °C to 70 °C
Storage	-40 °C to 85 °C
Packaging	
Dimensions (LxWxH)	96mm(L) x 56mm(W) x 21mm(H)
Weight	40g
Warranty	12 Months

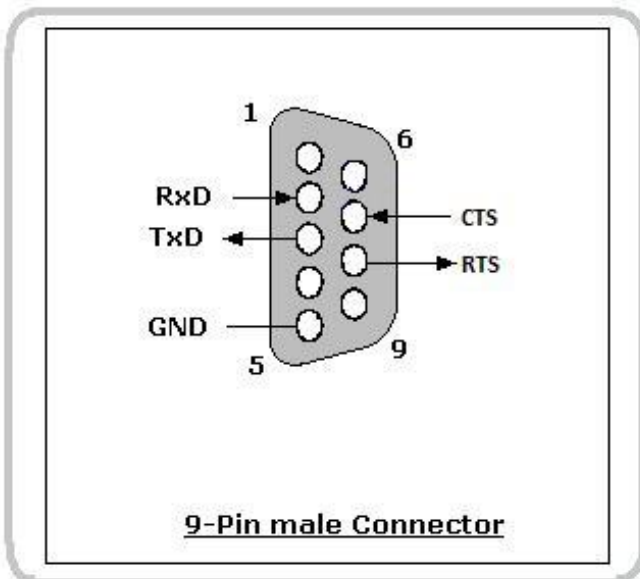
Applications

- Industrial Control and Automation.
- Environmental Monitoring and Control.
- Plant Automation.
- Energy Monitoring and Management.
- Building Management Systems - BMS.
- Remote Data Logging.
- Enabling MODBUS capability for non MODBUS devices.
- ATM Management.
- Mobile Tower Management.

Addressable Converter - DIP Switch



RS 232 DB 9 Male Pin Outs



Model Number	Description
Addressable Converter	RS 485 to RS 232 Addressable Converter

Sparr Electronics Limited

No.414A, 7th Main Road, 1st Block, HRBR Layout, Banaswadi , Bangalore - 560 043, INDIA.

Bangalore: +91-80-41278033

Mumbai: +91-22-26655375

For more details visit:

<http://www.sparrl.com> E-mail: info@sparrl.com

*Specifications subject to change without prior notice .All rights reserved. SEL/MKTG/ADDR - CONV/DS-01/11/13

SPARR
ELECTRONICS
LIMITED