

## GSM MODEM MANUAL

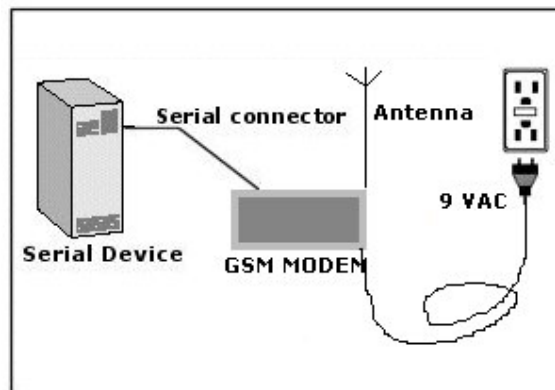
### 1. GSM MODEM

GSM Modem Product, from Sparr Electronics limited (SEL), provides full functional capability to Serial devices to send SMS and Data over GSM Network. The product is available as Board Level or enclosed in Metal Box. The Board Level product can be integrated in to Various Serial devices in providing them SMS and Data capability and the unit housed in a Metal Enclosure can be kept outside to provide serial port connection. The GSM Modem supports popular "AT" command set so that users can develop applications quickly. The product has SIM Card holder to which activated SIM card is inserted for normal use. The power to this unit can be given from UPS to provide uninterrupted operation. This product provides great feasibility for Devices in remote location to stay connected which otherwise would not have been possible where telephone lines do not exist

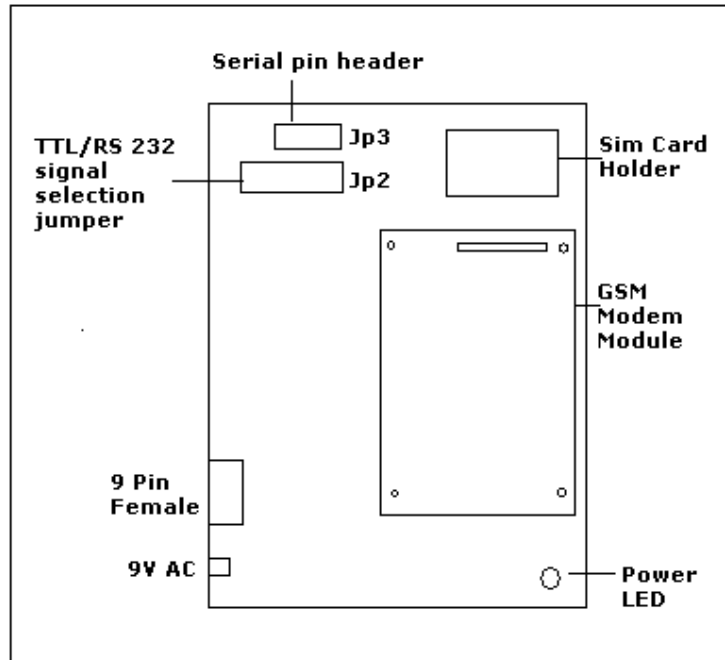
### 2. Application areas

- ❑ Mobile Transport vehicles.
- ❑ LAN based SMS servers
- ❑ Alarm notification of critical events including Servers
- ❑ Network Monitoring and SMS reporting
- ❑ Data Transfer applications from remote locations
- ❑ Monitor and control of Serial services through GSM Network
- ❑ Integration to custom software for Warehouse, Stock, Production, Dispatch notification through SMS.
- ❑ AMR- Automatic Meter Reading
- ❑ And many more...

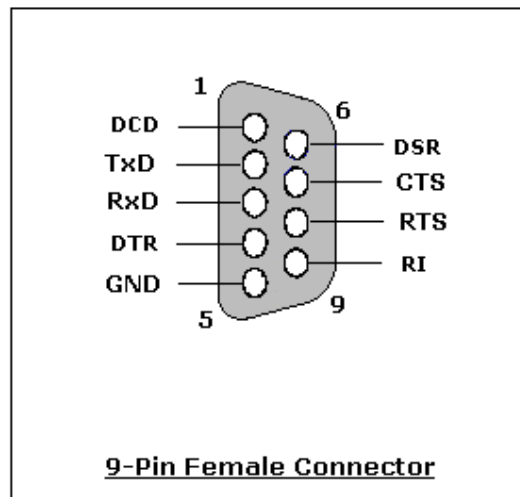
### 3. Connection Diagram



#### 4. Block Diagram



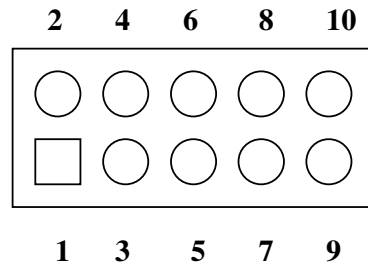
#### 5. Pinouts and details



**Note :-**

Short the pin numbers 2 and 3 of **JP2** for TTL Serial Operations  
Short the pin numbers 1 and 2 of **JP2** for RS 232 Operations.

**JP3 SERIAL TTL LEVEL SIGNALS**



<b>JP3 PIN NO</b>	<b>SIGNALS</b>
<b>1</b>	<b>RXD</b>
<b>2</b>	<b>CTS</b>
<b>3</b>	<b>DSR</b>
<b>4</b>	<b>DCD</b>
<b>5</b>	<b>RI</b>
<b>6</b>	<b>TXD</b>
<b>7</b>	<b>RTS</b>
<b>8</b>	<b>DTR</b>
<b>9</b>	<b>GROUND</b>