

Command Line Interface for SPARR – Ethernet Enabled Power Control

The EAD I/O – PC has a command Line interface for users to connect from LAN using Telnet program or Hyper Terminal. There are Two socket or ports to which the user can connect to.

1. Port **7353**: This port when connected to, will ask for Password. The default password is **77277**. The resulting menu will help you to set various parameters relevant to EAD – Ethernet Adaptor including the change of password for protecting from un-authorized users. Please refer the **EAD manual** and the **Find EAD program** supplied with the product for full functional details.
2. Port **7727**: Is the port to which the user will have to connect for performing Remote Power Control through LAN. On connecting to this port number using Telnet or Hyper Terminal in TCP mode, the user will be prompted to enter the Password. On successful entry of password, the user will get SEL> prompt. “?” command will give Help menu for various commands supported by the Device as below.
3. Please make a note that all commands are case sensitive and works only for upper case characters.

SEL>?

ALL COMMANDS ARE IN CAPITAL LETTERS...

1. SHOW ALL - Shows all Port Status of the Existing Boards.
2. SHOW Sn - where n=1-12.
Shows status of individual Ports.
3. SET Sn ON - where n=1-12.
To switch ON individual Ports.
4. SET Sn OFF - where n=1-12.
To switch OFF individual Ports .
5. SET Sn RESET xx - where n=1-12. and xx= 0 to 99 seconds
To switch RESET individual Ports for the TIME Specified.
6. EXIT - To Quit Current Connection.

INVALID COMMANDS will result with ERROR Message,
Otherwise SEL> Prompt will appear.

SEL>

SHOW Command

SHOW ALL displays the conditions of various Relay control Ports from 1 to 12 at the time of query. The Command SHOW Sn where “n” signifies the Port / Relay number displays the Status of the particular port

SET command

SET Sn ON or OFF activates the appropriate Relay and Powers ON or OFF the device connected to its port.

SET Sn RESET xx – Resets the Port “n” for the period specified by the value of ‘xx’. The status of the port is displayed while the reset is effected.

EXIT command

The EXIT command logs out the user thus making the unit available for others to take control and perform operation on this device.

There is also an In-activity time of 300 seconds set as Default which will make the unit exit and disconnect the Telnet session when there is no activity. This parameter can be changed by logging in to the 7353 configuration port.

Invalid commands will be responded with ERROR message and the successful command proceed with SEL> prompt for further inputs.

Connection Details

1. Connect the Power to Device . The input to this unit is +12V DC.
2. Connect the Device to LAN HUB or Switch using straight cable to the RJ45 Female socket provided
3. There is a DC- DC converter board inside the unit, which takes in the 12V DC input and provides isolated 5V supply to Main board.
4. There are two relay boards stacked. The top board caters Relays 1 to 6 and the board below caters Relays 7 to 12.
5. Each relay has 3 pins : a) Common b) Normally Open and c) normally closed contact position. Refer table 1
6. Do connect the units to be controlled to the appropriate Relay outputs.

Diagram:

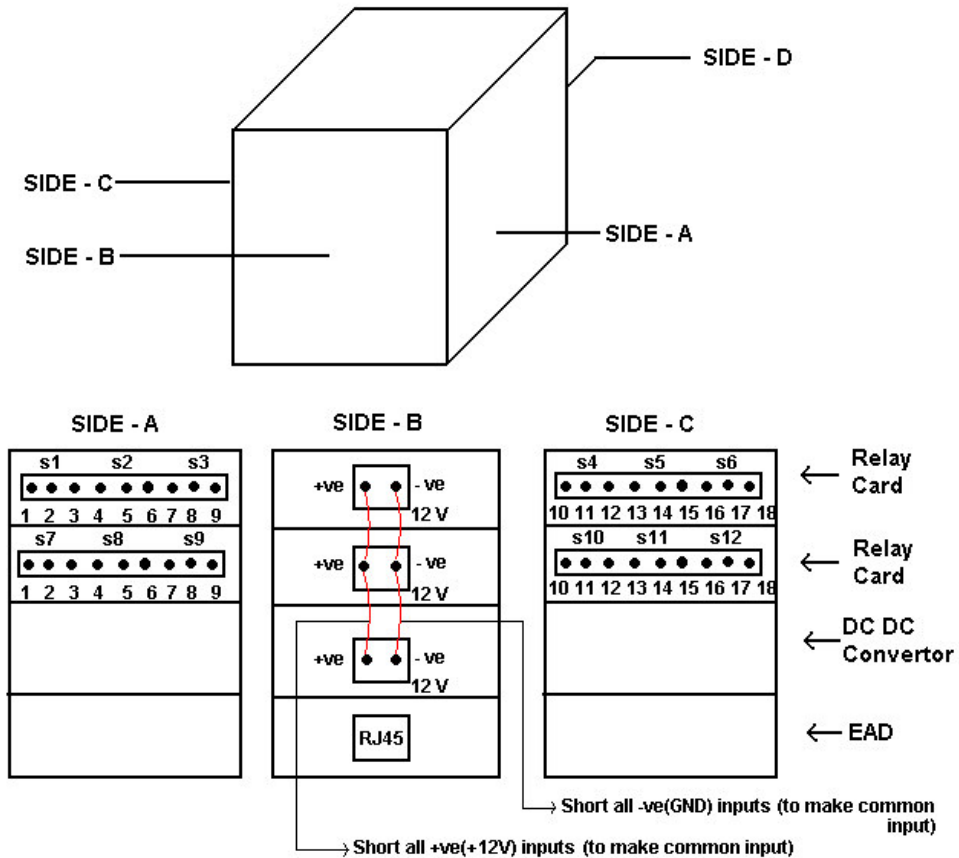


Table 1

Switches	PIN NO	Content
S1, S7	1	NO
	2	NC
	3	C
S2, S8	4	NO
	5	NC
	6	C
S3, S9	7	NO
	8	NC
	9	C
S4, S10	10	NO
	11	NC
	12	C
S5, S11	13	NO
	14	NC
	15	C
S6, S12	16	NO
	17	NC
	18	C

NO *Normally Open*

NC *Normally Closed*

C *Common*

Note:

The RS 232 serial D type 9 Pin male connector on side D is only for configuring EAD Parameters through COM port of PC. Please refer the EAD manual in CD ROM.